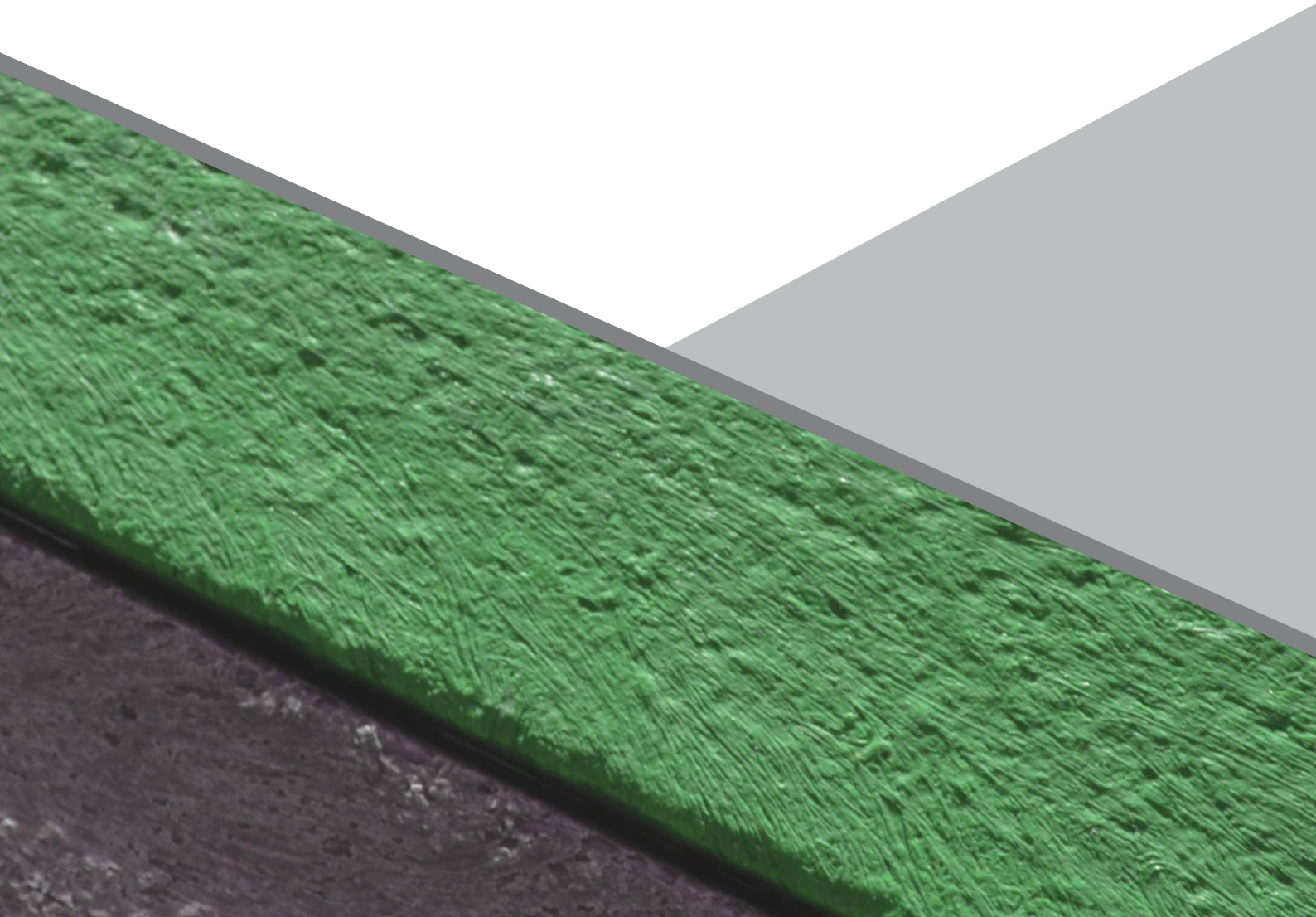


REMADE

RECYCLED PLASTIC PROFILES



STRONGPLAST



STRONGPLAST plastic (heterogeneous plastmix plastic) is one of the results achieved by companies specialized in the sorting and recycling of rubbish derived from multi-materials and mono-products.

Characteristics of Strongplast:

It is an extremely strong substance and withstands repeated flexion and vibrations;

It has durable colouring;

It is highly resistant to bacteria and mold;

It is an excellent thermal isolator;

Thanks to its sound proof qualities, when it rains or hails Strongplast does not vibrate or create any echo;

Resistant to corrosive chemical substances;

It is maintenance free

It is possible to build many things with Strongplast, such as:

Urban furniture for both government and private organizations (benches, flower pots, fences, gazebos etc.).

Collection points for sorted wastes.

Playground equipment.

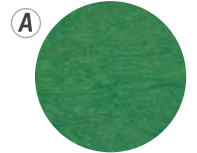
Strongplast is 100% recyclable.

It is made from plastic originating from the sorted collection of solid-urban wastes.

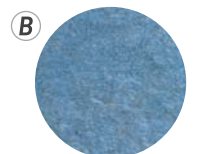
The profiles are produced following specific procedures; a sorted waste selection, the grinding and extraction of mixed plastics with special low temperature machinery.



*Brown
Standard color*



Green



Blue



Grey



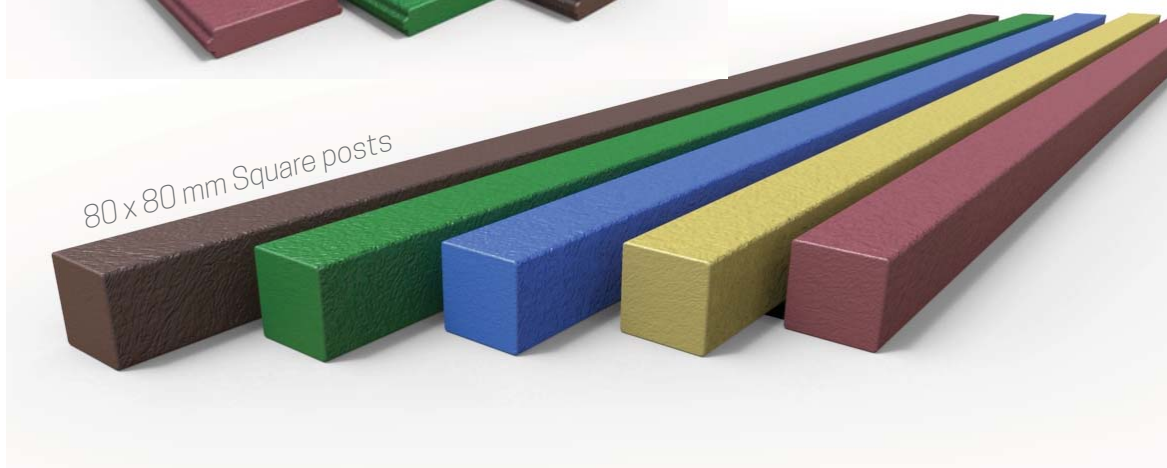
Yellow



Red



Tongue & groove boards



80 x 80 mm Square posts

Colors

Add to code :

A - Green

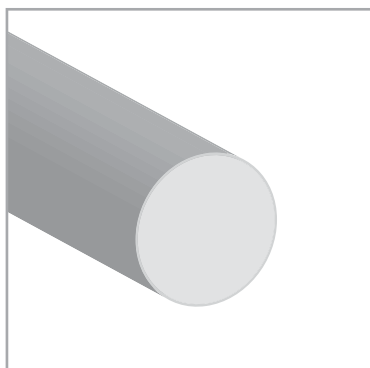
B - Blue

C - Grey

D - Yellow

E - Red

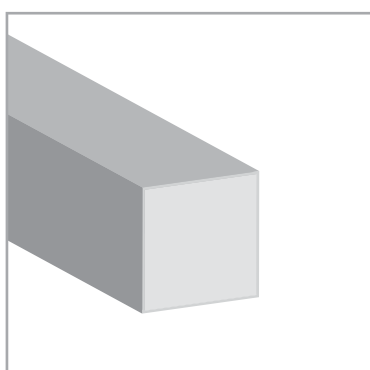
ROUND POLE



Code	Diameter	Lenght ¹	Weight ²	Price
PT60-1	60 mm	1000 mm	2,73 kg	
PT60-15	60 mm	1500 mm	4,09 kg	
PT60-2	60 mm	2000 mm	5,46 kg	
PT60-3	60 mm	3000 mm	8,19 kg	
PT70-1	70 mm	1000 mm	3,37 kg	
PT70-15	70 mm	1500 mm	5,51kg	
PT70-2	70 mm	2000 mm	6,74 kg	
PT70-3	70 mm	3000 mm	10,11 kg	
PT80-1	80 mm	1000 mm	4,41 kg	
PT80-15	80 mm	1500 mm	6,61 kg	
PT80-2	80 mm	2000 mm	8,82 kg	
PT80-3	80 mm	3000 mm	13,23 kg	
PT130-1	130 mm	1000 mm	9,34 kg	
PT130-2	130 mm	2000 mm	18,68 kg	
PT136-12	130 mm	1200 mm	11,20 kg	
PT136-24	130 mm	2400 mm	22,40 kg	
PT136-36	130 mm	3600 mm	33,62 kg	

the profiles are sold in package of 48 pieces.

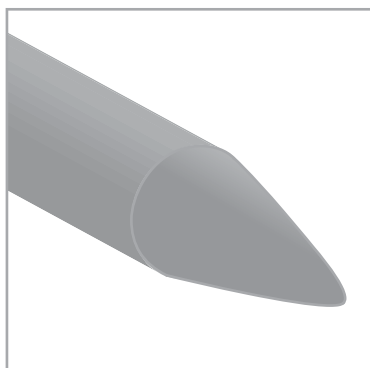
SQUARE POLE



Code	Side	Lenght ¹	Weight ²	Price
PQ80-1	80 mm	1000 mm	5,26 kg	
PQ80-15	80 mm	1500 mm	7,9 kg	
PQ80-2	80 mm	2000 mm	10,52 kg	
PQ80-3	80 mm	3000 mm	15,80 kg	
PQ100-9	108,5 mm	900 mm	7,69 kg	
PQ100-18	108,5 mm	1800 mm	15,39 kg	
PQ100-36	108,5 mm	3600 mm	30,78 kg	

the profiles are sold in package of 48 pieces.

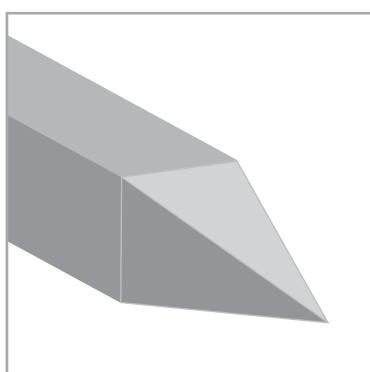
ROUND POSTS



Code	Diameter	Lenght ¹	Weight ²	Price
PPT60-1	60 mm	1000 mm	2,73 kg	
PPT60-15	60 mm	1500 mm	4,09 kg	
PPT60-2	60 mm	2000 mm	5,46 kg	
PPT60-3	60 mm	3000 mm	8,19 kg	
PPT70-1	70 mm	1000 mm	3,37 kg	
PPT70-15	70 mm	1500 mm	5,51kg	
PPT70-2	70 mm	2000 mm	6,74 kg	
PPT70-3	70 mm	3000 mm	10,11 kg	
PPT80-1	80 mm	1000 mm	4,41 kg	
PPT80-15	80 mm	1500 mm	6,61 kg	
PPT80-2	80 mm	2000 mm	8,82 kg	
PPT80-3	80 mm	3000 mm	13,23 kg	
PPT130-1	130 mm	1000 mm	9,34 kg	
PPT130-2	130 mm	2000 mm	18,68 kg	
PPT136-12	130 mm	1200 mm	11,20 kg	
PPT136-24	130 mm	2400 mm	22,40 kg	
PPT136-36	130 mm	3600 mm	33,62 kg	

the profiles are sold in package of 48 pieces.

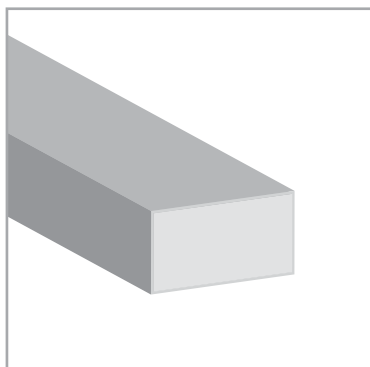
SQUARE POSTS



Code	Side	Lenght ¹	Weight ²	Price
PPQ80-1	80 mm	1000 mm	5,26 kg	
PPQ80-15	80 mm	1500 mm	7,9 kg	
PPQ80-2	80 mm	2000 mm	10,52 kg	
PPQ80-3	80 mm	3000 mm	15,80 kg	
PPQ100-9	108,5 mm	900 mm	7,69 kg	
PPQ100-18	108,5 mm	1800 mm	15,39 kg	
PPQ100-36	108,5 mm	3600 mm	30,78 kg	

the profiles are sold in package of 48 pieces.

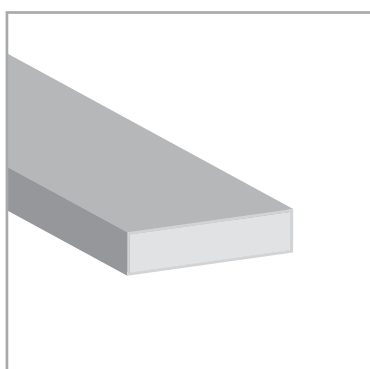
BEAM



Code	Section	Lenght ¹	Weight ²	Price
LS30-1	30 x 50 mm	1000 mm	1,23 kg	
LS30-15	30 x 50 mm	1500 mm	1,85 kg	
LS30-2	30 x 50 mm	2000 mm	2,46 kg	
LS30-3	30 x 50 mm	3000 mm	3,7 kg	
LS72-9	72 x 130 mm	900 mm	8,59 kg	
LS72-18	72 x 130 mm	1800 mm	17,18 kg	
LS72-36	72 x 130 mm	3600 mm	25,77 kg	

the profiles are sold in package of 48 pieces.

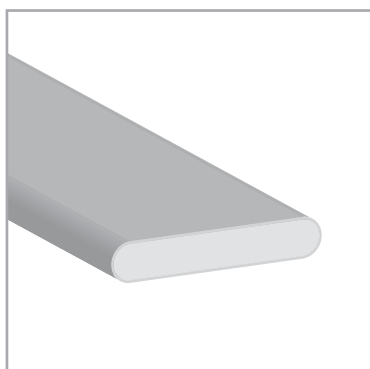
BOARDS



Code	Section	Lenght ¹	Weight ²	Price
TA25-1	90 x 25 mm	1000 mm	1,8 kg	
TA25-15	90 x 25 mm	1500 mm	2,7 kg	
TA25-2	90 x 25 mm	2000 mm	3,6 kg	
TA25-3	90 x 25 mm	3000 mm	5,4 kg	
TA30-1	150 x 30 mm	1000 mm	3,72 kg	
TA30-15	150 x 30 mm	1500 mm	5,58 kg	
TA30-2	150 x 30 mm	2000 mm	7,44 kg	
TA30-3	150 x 30 mm	3000 mm	11,16 kg	

the profiles are sold in package of 48 pieces.

ROUNDED EDGE BOARDS



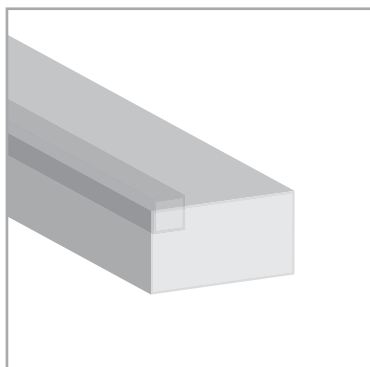
Code	Section	Lenght ¹	Weight ²	Price
TS27-1	139 x 27 mm	1000 mm	2,06 kg	
TS27-15	139 x 27 mm	1500 mm	3,1 kg	
TS27-2	139 x 27 mm	2000 mm	4,12 kg	
TS27-3	139 x 27 mm	3000 mm	6,2 kg	

the profiles are sold in package of 48 pieces.

The codes listed above refer to the standard color brown.

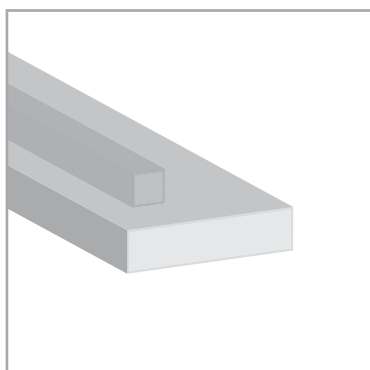
1 - Tolleranza 3%
2- Peso medio senza armatura

REINFORCED BEAM



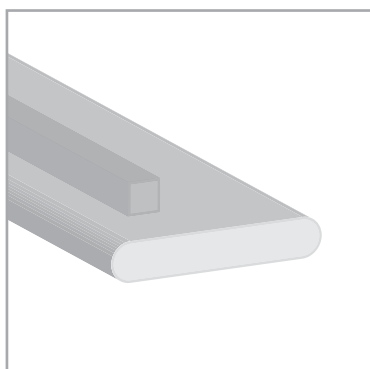
Reinforced with 15 x 15 mm steel tube

REINFORCED BOARDS



Reinforced with 15 x 15 mm steel tube

REINFORCED ROUNDED EDGE BOARDS



Reinforced with 15 x 15 mm steel tube

Code	Section	Lenght ¹	Weight ²	Price
LSR30-1	30 x 50 mm	1000 mm	1,23 kg	
LSR30-15	30 x 50 mm	1500 mm	1,85 kg	
LSR30-2	30 x 50 mm	2000 mm	2,46 kg	
LSR30-3	30 x 50 mm	3000 mm	3,7 kg	
LSR72-9	72 x 130 mm	900 mm	8,59 kg	
LSR72-18	72 x 130 mm	1800 mm	17,18 kg	
LSR72-36	72 x 130 mm	3600 mm	25,77 kg	

the profiles are sold in package of 48 pieces.

Code	Section	Lenght ¹	Weight ²	Price
TAR25-1	90 x 25 mm	1000 mm	1,8 kg	
TAR25-15	90 x 25 mm	1500 mm	2,7 kg	
TAR25-2	90 x 25 mm	2000 mm	3,6 kg	
TAR25-3	90 x 25 mm	3000 mm	5,4 kg	
TAR30-1	150 x 30 mm	1000 mm	3,72 kg	
TAR30-15	150 x 30 mm	1500 mm	5,58 kg	
TAR30-2	150 x 30 mm	2000 mm	7,44 kg	
TAR30-3	150 x 30 mm	3000 mm	11,16 kg	

the profiles are sold in package of 48 pieces.

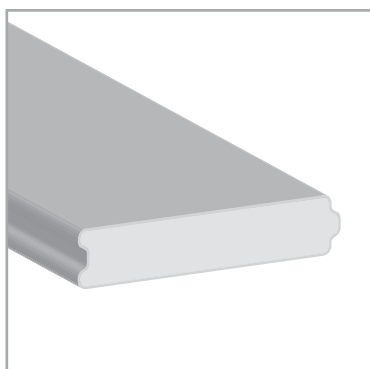
Code	Section	Lenght ¹	Weight ²	Price
TSR27-1	139 x 27 mm	1000 mm	2,06 kg	
TSR27-15	139 x 27 mm	1500 mm	3,1 kg	
TSR27-2	139 x 27 mm	2000 mm	4,12 kg	
TSR27-3	139 x 27 mm	3000 mm	6,2 kg	

the profiles are sold in package of 48 pieces.

The codes listed above refer to the standard color brown.

1 - Tolleranza 3%
2- Peso medio senza armatura

TONGUE & GROOVE BOARDS



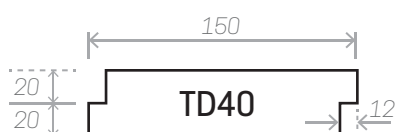
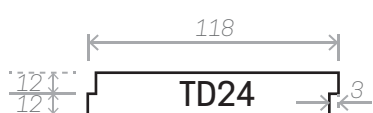
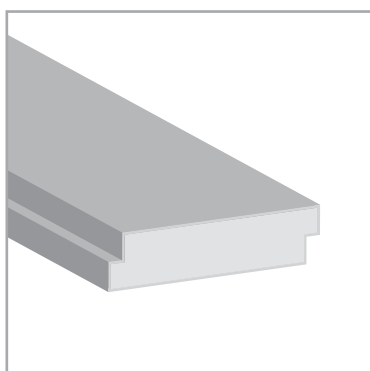
Sezione



Code	Section	Lenght ¹	Weight ²	Price
TP10	150 x 30 mm	1000 mm	3,75 kg	
TP15	150 x 30 mm	1500 mm	5,65 kg	
TP20	150 x 30 mm	2000 mm	7,5 kg	
TP30	150 x 30 mm	3000 mm	11,3 kg	

the profiles are sold in package of 48 pieces.

INTERLOCKING BOARDS



Code	Section	Lenght ¹	Weight ²	Price
TD24-1	118 x 24 mm	1000 mm	2,4 kg	
TD24-15	118 x 24 mm	1500 mm	3,6 kg	
TD24-2	118 x 24 mm	2000 mm	4,8 kg	
TD24-3	118 x 24 mm	3000 mm	7,20 kg	
TD40-1	150 x 40 mm	1000 mm	4,4 kg	
TD40-15	150 x 40 mm	1500 mm	6,6 kg	
TD40-2	150 x 40 mm	2000 mm	8,8 kg	
TD40-3	150 x 40 mm	3000 mm	13,2 kg	

the profiles are sold in package of 48 pieces.

